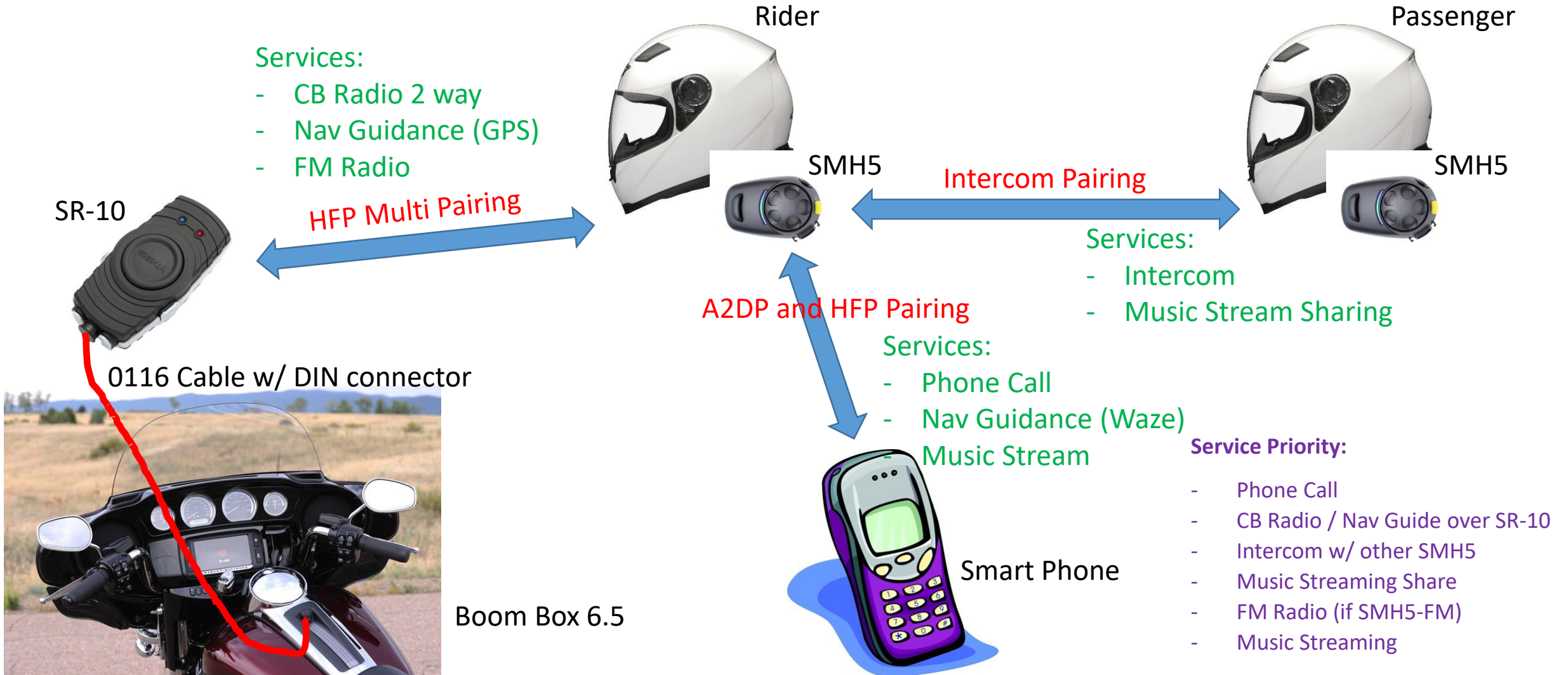


H-D BoomBox 6.5 and BT Helmet Headset Interconnection

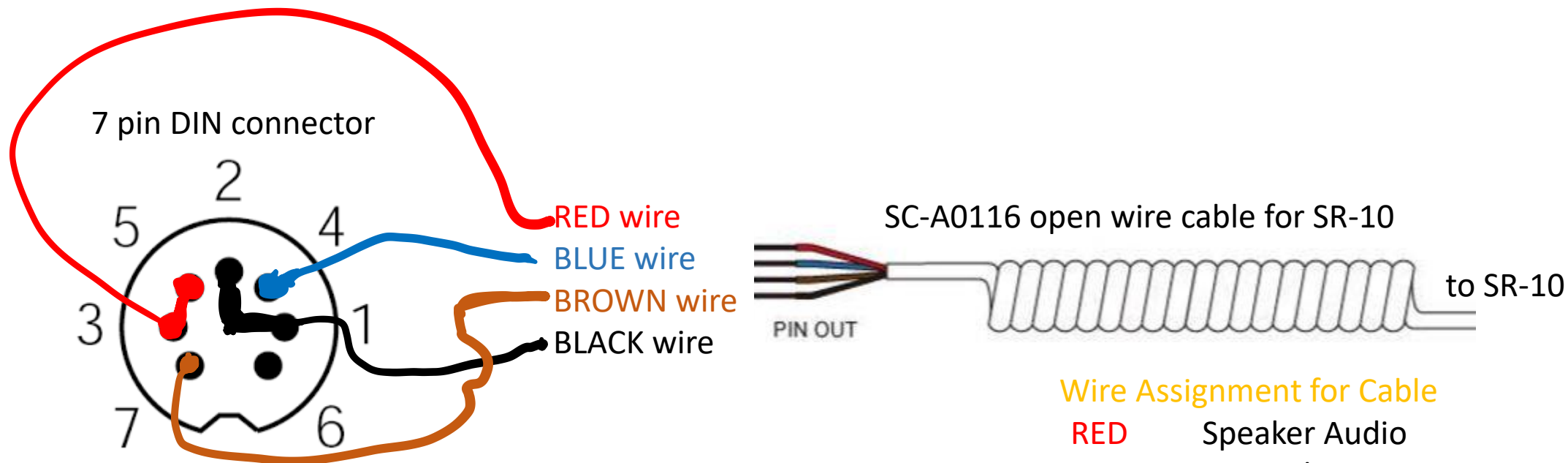
Colin Buckup

10/29/15

Intercom Architecture



Adapter Cable for SR-10 / 7 pin DIN H-D



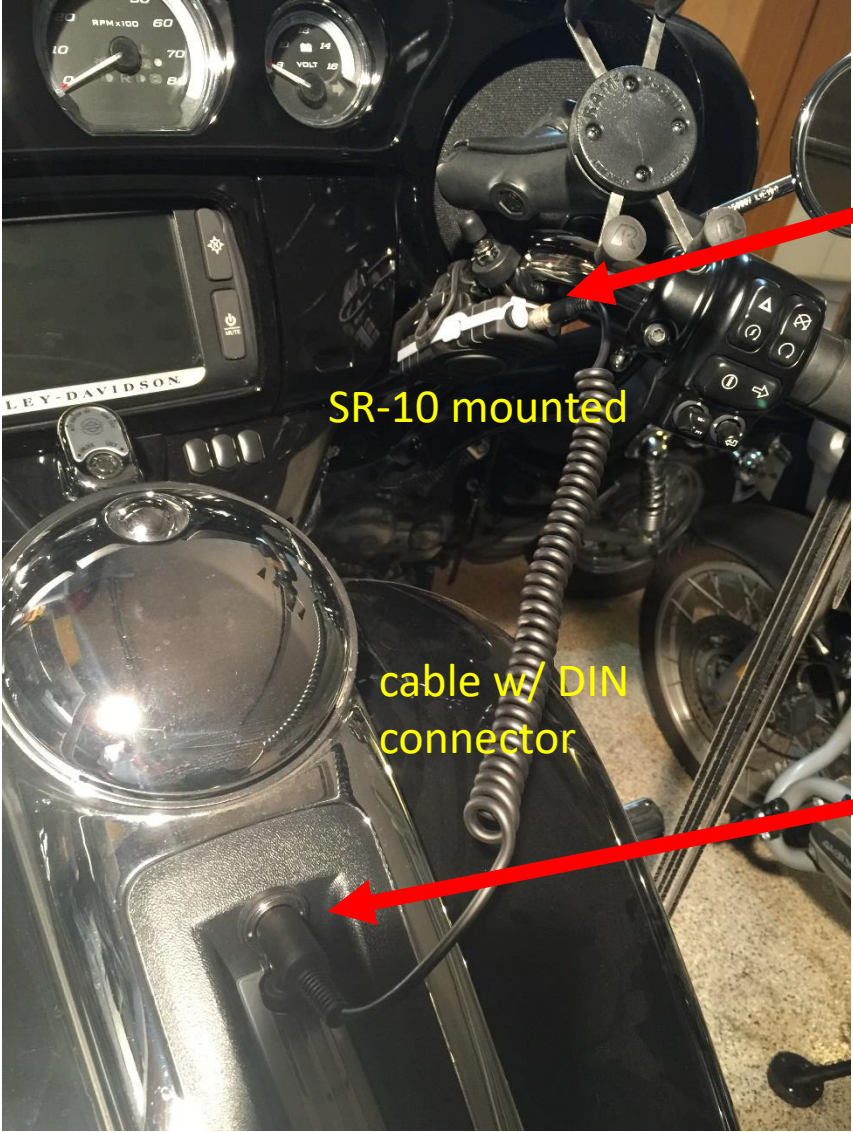
H-D pinout for DIN connector

- 1- Microphone GND
- 2- Speaker GND
- 3- Speaker Audio Right OUT
- 4- Microphone IN
- 5- Speaker Audio Left OUT
- 6- Shield
- 7- N/C

Wire Assignment for Cable

- RED Speaker Audio
- BLUE Microphone
- BROWN PTT (not used)
- BLACK Ground - GND

Mounting all the parts



SR-10 mounted

cable w/ DIN connector



SR-10



SMH-5



7 pin DIN Cable for SR-10